

## Type »Multi-Link«

Modular distributor system for flexible workplace design, can be rotated 180°. Equipped for 2 to 5 bleed units, optionally with:

- G 1/2 female threaded connection for individually adaption output segments
- DN 7.6 standard quick disconnect couplings
- DN 7.6 quick disconnect safety couplings

Operating pressure: Max. 16 bar  
 Temperature range: -20 °C to +100 °C  
 (-20 °C to +80 °C quick disconnect safety couplings)  
 Material: Galvanised steel / brass  
 Sealant: NBR  
 Thread: G 1/2 female  
 Medium: Compressed air, non-corrosive gases

**Compressed air distributor, type »Multi-Link« without couplings, female thread**

Art. No.	Ident No.	Connection	Bleed units
VTM-1	107388	G 1/2 female	1
VTM-2	107389	G 1/2 female	2
VTM-3	107390	G 1/2 female	3
VTM-4	107391	G 1/2 female	4
VTM-5	107392	G 1/2 female	5



VTM-1



VTM-2



VTM-3



VTM-4



VTM-5

Compressed air distributor, type »Multi-Link« with quick disconnect standard couplings DN 7.6

Art. No.	Ident No.	Connection	Bleed units
VTM-1K	107393	Standard couplings DN 7.6	1
VTM-2K	107394	Standard couplings DN 7.6	2
<del>VTM-3K</del>	<del>107395</del>	<del>Standard couplings DN 7.6</del>	<del>3</del>
VTM-4K	107396	Standard couplings DN 7.6	4
VTM-5K	107397	Standard couplings DN 7.6	5

Compressed air distributor, type »Multi-Link« quick disconnect safety couplings DN 7.6

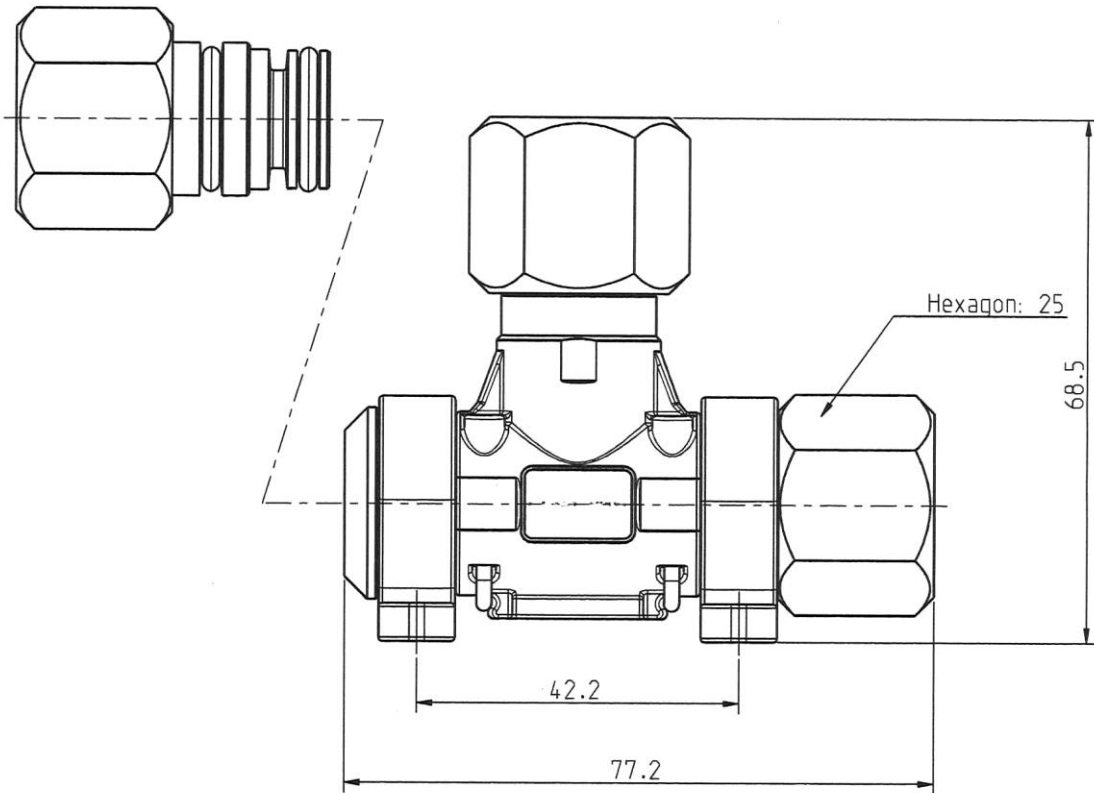
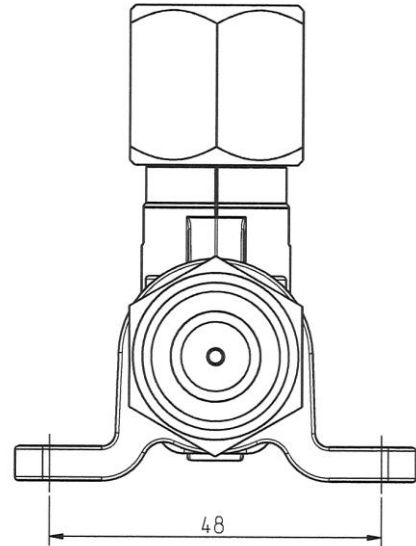
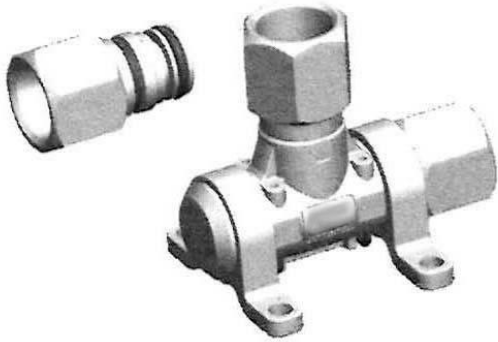
Art. No.	Ident No.	Connection	Bleed units
VTM-1KS	107398	Safety couplings DN 7.6	1
VTM-2KS	107399	Safety couplings DN 7.6	2
VTM-3KS	107400	Safety couplings DN 7.6	3
VTM-4KS	107401	Safety couplings DN 7.6	4
VTM-5KS	107402	Safety couplings DN 7.6	5

Between segments, type »Multi-Link«

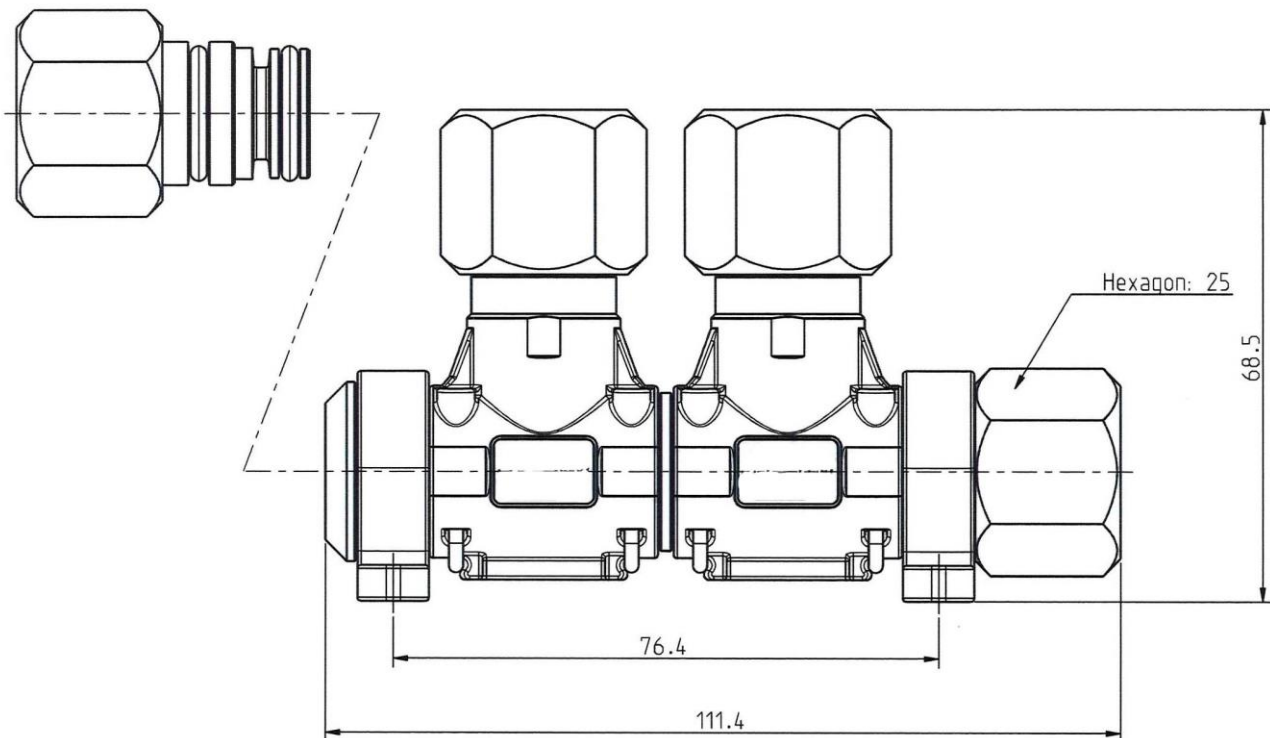
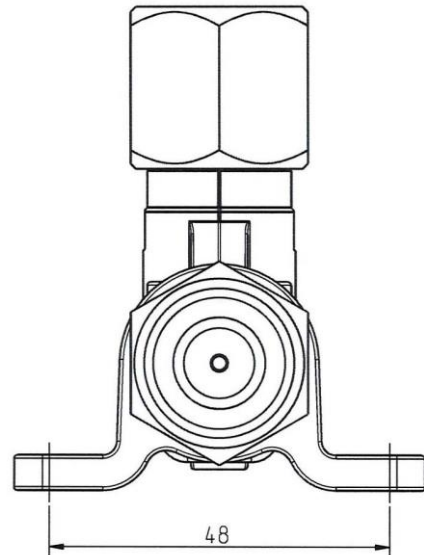
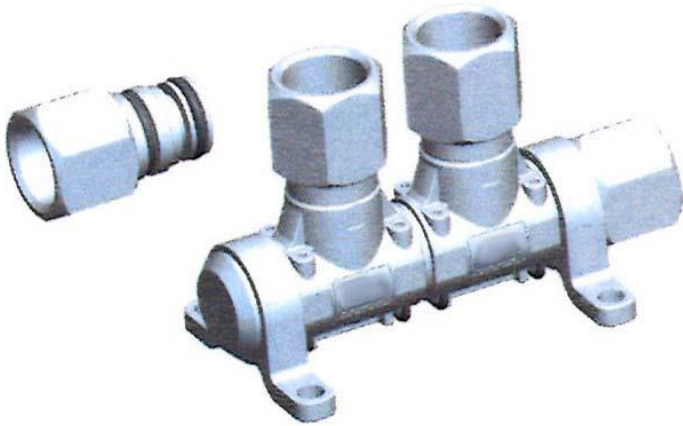
Art. No.	Ident No.	Connection	Bleed units
ZS-12	107403	Segment G 1/2	1
ZS-K	107404	Segment standard coupling DN 7.6	1
ZS-KS	107405	Segment safety coupling DN 7.6	1



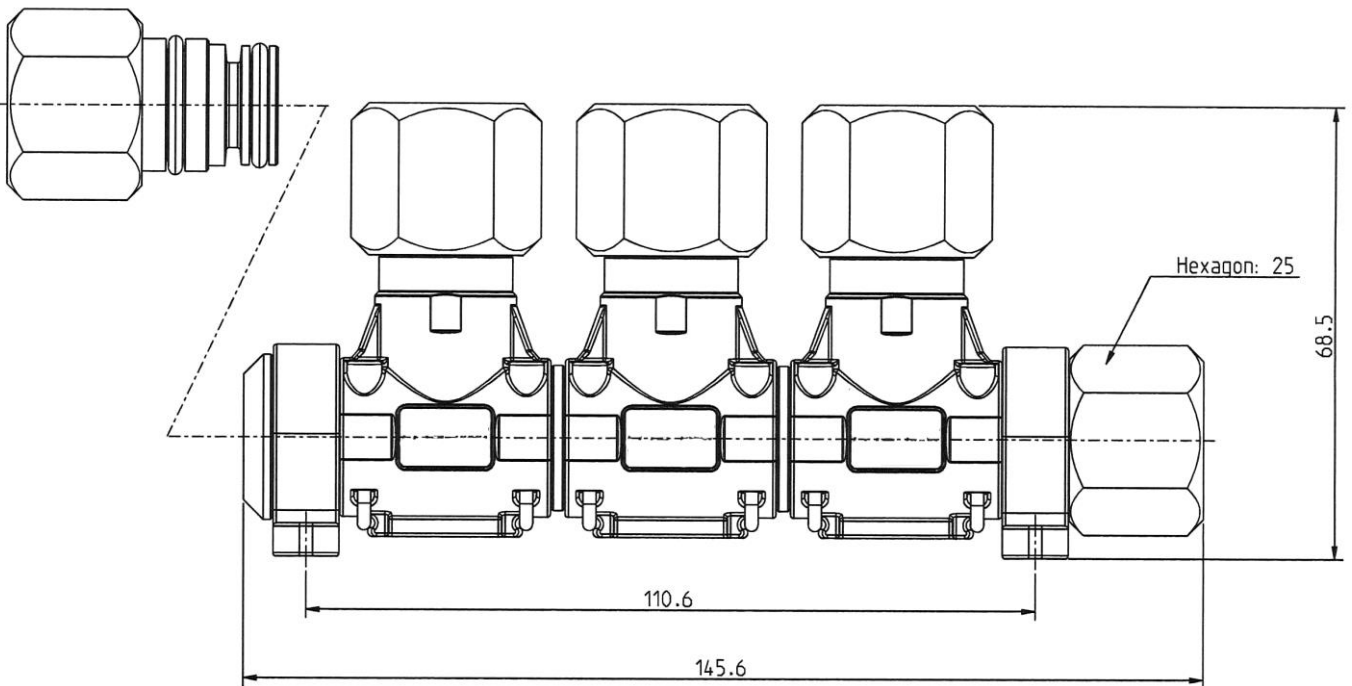
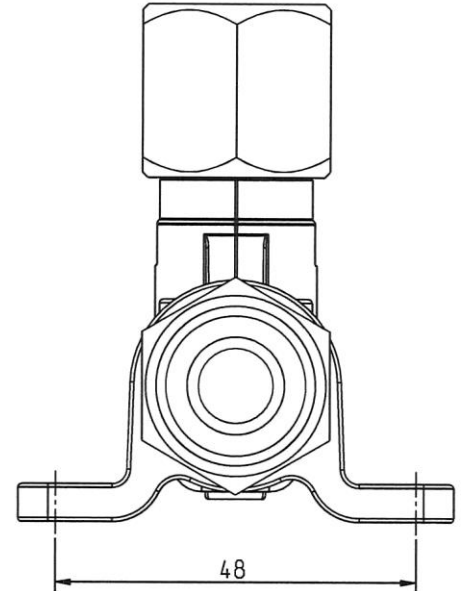
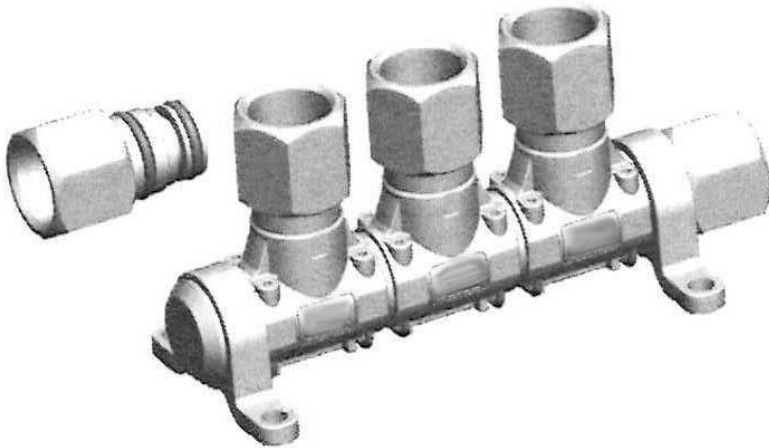
**VTM-1**



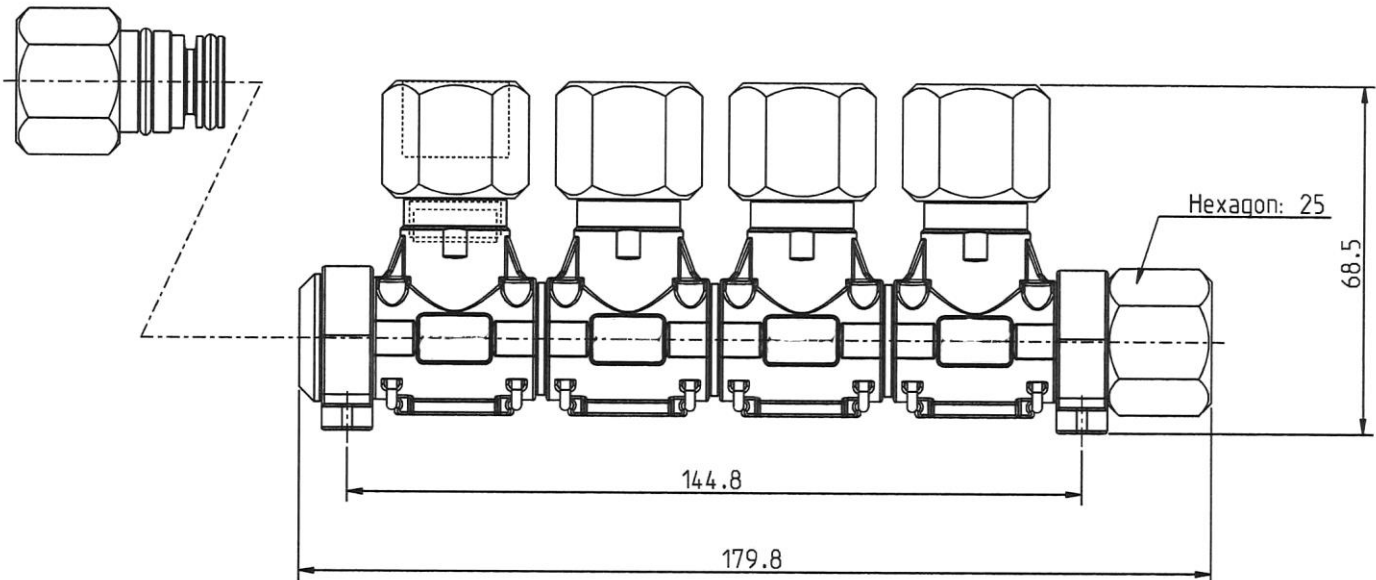
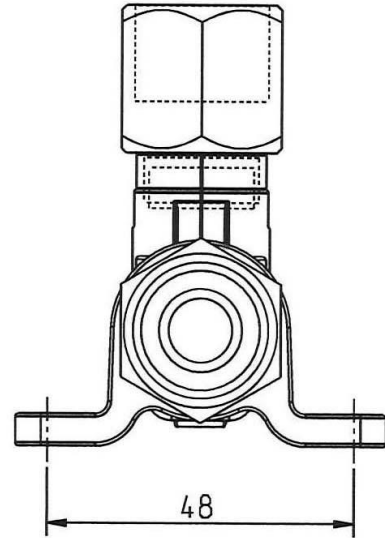
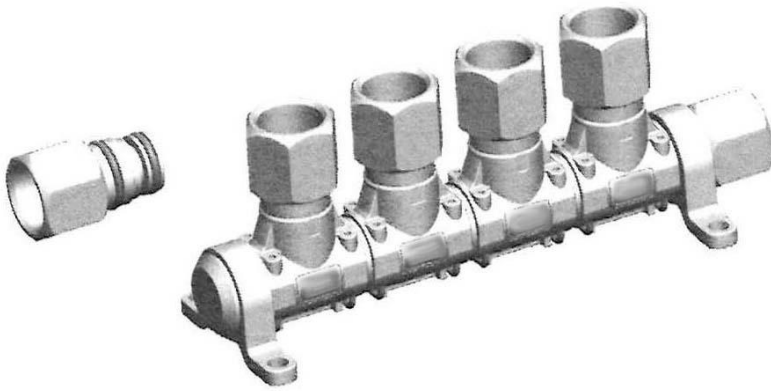
**VTM-2**



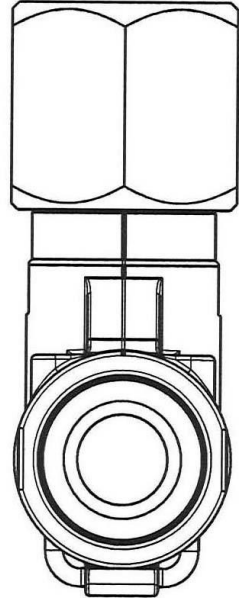
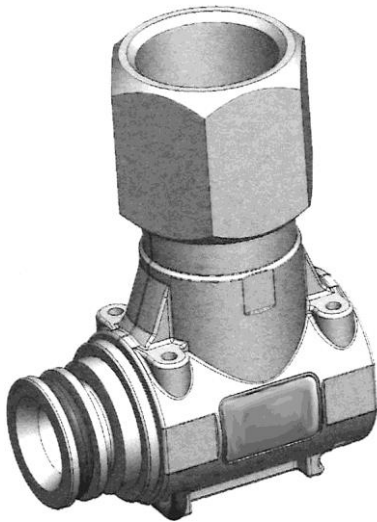
**VTM-3**



**VTM-4**



**ZS-12**



Hexagon: 25

